

CS1060 Reaction Torque Sensor



- Square male coupling
- Range from ± 5 to $\pm 7,000$ Nm
(± 4 to $\pm 5,600$ lbf. ft)
- Stainless Steel
- Cable Gland or Connector Output
- Built In Amplifier per Request

DESCRIPTION

The CS1060 has been designed to measure reaction torque. Its sensing element is based on thin layer strain gauges in a Wheatstone bridge configuration providing excellent temperature stability. Optionally the torque sensor can receive an on-board amplifier for high-level output. Intermediate ranges are available at no extra cost.

With many years of experience as a designer and manufacturer of sensors, Measurement Specialties often works with customers to design or customize sensors for specific uses and testing environments.

To meet your needs we also offer complete turnkey systems. The matched components (sensor, power, amplifier and digital display) are formatted, calibrated and ready for immediate use.

FEATURES

- Suited for static applications
- Square male coupling
- High Level Output Model with Integrated Amplifier

APPLICATIONS

- Non-Rotating parts torque measurement
- Test and Measurement
- Robotics and effectors
- Laboratory and Research

STANDARD RANGES

F.S. Ranges in Nm	5 to 100	101 to 300	301 to 800	801 to 3k	3001 to 7k
F.S. Ranges in lbf.ft	40 to 80	81 to 240	241 to 640	641 to 2.4k	2401 to 5.6k
Stiffness in Nm/rad	2×10^2 to 1×10^4	1×10^4 to 4×10^4	4×10^4 to 1.2×10^5	1.2×10^5 to 6×10^5	6×10^5 to 1.8×10^6
Stiffness in lbf. ft/rad	1.4×10^1 to 6.9×10^2	6.9×10^2 to 2.7×10^3	2.7×10^3 to 8.2×10^3	8.2×10^3 to 4.1×10^4	4.1×10^4 to 1.2×10^5

CS1060 Reaction Torque Sensor

PERFORMANCE SPECIFICATIONS

Ambient Temperature: 20±1°C (unless otherwise specified)

Parameters	
Operating Temperature Range (OTR)	-20 to 80° C (-4 to 176° F)
Compensated Temperature Range (CTR)	0 to 60° C (32 to 140° F)
Zero Shift in CTR	<0.5% F.S./ 50° C [100° F]
Sensitivity Shift in CTR	<1% of reading / 50° C [100° F]
Range (F.S.)	±5 Nm to ±7 kNm [±4 lbf.ft to ±5.6 klbf.ft]
Over-Range	
Without Damage	1.5 x F.S.
Accuracy	
Combined Non-Linearity & Hysteresis	±0.25%F.S.

Electrical Characteristics

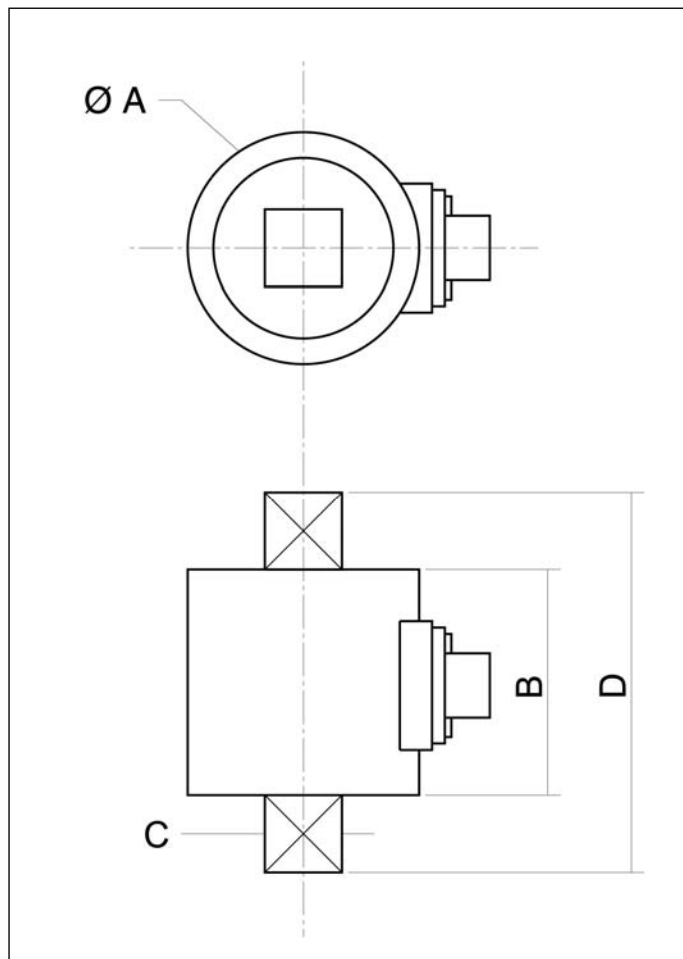
Model	CS1060	CS1060-A1	CS1060-A2
Supply Outage	10Vdc	10 – 30Vdc	±15Vdc (±12 to ±18Vdc)
F.S. Output	±2mV/V	±2V ±5% F.S.	±5V ±5% F.S.
Zero Offset	<±5% F.S.	2.5V ±5% F.S.	0V ±5% F.S.
Input Impedance/Consumption	350 to 700Ω	<50mA	<30mA
Output Impedance	350 to 700Ω	<10Ω	<10Ω
Insulation under 50Vdc	≥100MΩ	≥100MΩ	≥100MΩ

Notes

1. Electrical Termination: Connector output including mate
2. Material: Body in stainless steel and housing in aluminum alloy
3. Connection : Square male couplings standard depending on F.S. ; other connection types on request (smooth shaft, cotter pin, etc)

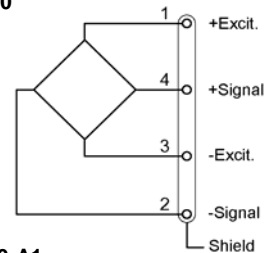
CS1060 Reaction Torque Sensor

DIMENSIONS & WIRING SCHEMATIC (IN METRIC AND IMPERIAL)

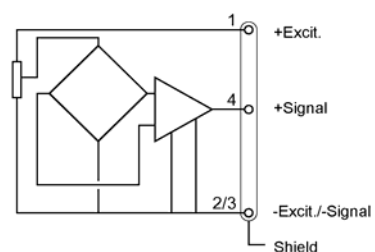


Wiring Schematic

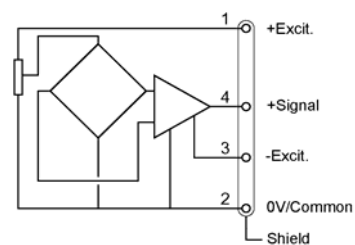
CS1060



CS1060-A1



CS1060-A2



Dimensions in mm [inch]

F.S. in Nm [lbf.ft]	5 to 100 [4 to 80]		101 to 300 [81 to 240]		301 to 800 [241 to 640]		801 to 3000 [641 to 2400]		3001 to 7000 [2401 to 5600]	
A	35	[1.38]	40	[1.57]	50	[1.97]	65	[2.56]	85	[3.35]
B	35	[1.38]	40	[1.57]	45	[1.77]	55	[2.17]	60	[2.36]
C	12.7	[1/2"]	19	[3/4"]	25.4	[1"]	38.1	[1"1/2]	50.8	[2"]
D	59	[2.32]	80	[3.15]	95	[3.74]	135	[5.31]	160	[6.30]

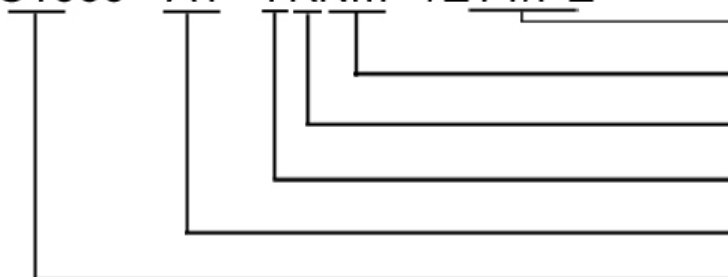
CS1060 Reaction Torque Sensor

OPTIONS

A1 : Unipolar Tension
A2 : Bipolar Tension
ET1 : CTR -20 to 100° C [-4 to 212° F] OTR=CTR
PE : Cable Gland Termination with 2 m [6.6 ft] cable

ORDERING INFO

CS1060 - A1 - 7KNm - /ET1/PE



Other Options (ET1, PE, etc.)

Unit (Nm=(Newton)(meter))

Multiplier (K for ranges >1000)

Range

Power Supply Reference (None, A1, or A2)

Model

NORTH AMERICA

Measurement Specialties Inc.
1000 Lucas Way
Hampton, VA 23666
USA
Tel: 1-757-766-1500
Fax: 1-757-766-4297
Sales: pvg.cs.amer@meas-spec.com

EUROPE

Measurement Specialties
(Europe), Ltd.
26 Rue des Dames
78340 Les Clayes-Sous-Bois,
France
Tel: +33 (0) 130 79 33 00
Fax: +33 (0) 134 81 03 59
Sales: pfg.cs.emea@meas-spec.com

ASIA

北京赛斯维测控技术有限公司
北京市朝阳区望京西路48号
金隅国际C1002
电话 : +86 010 8477 5646
传真 : +86 010 5894 9029
邮箱 : sales@sensorway.cn
http://www.sensorway.cn

The information in this sheet has been carefully reviewed and is believed to be accurate; however, no responsibility is assumed for inaccuracies. Furthermore, this information does not convey to the purchaser of such devices any license under the patent rights to the manufacturer. Measurement Specialties, Inc. reserves the right to make changes without further notice to any product herein. Measurement Specialties, Inc. makes no warranty, representation or guarantee regarding the suitability of its product for any particular purpose, nor does Measurement Specialties, Inc. assume any liability arising out of the application or use of any product or circuit and specifically disclaims any and all liability, including without limitation consequential or incidental damages. Typical parameters can and do vary in different applications. All operating parameters must be validated for each customer application by customer's technical experts. Measurement Specialties, Inc. does not convey any license under its patent rights nor the rights of others.